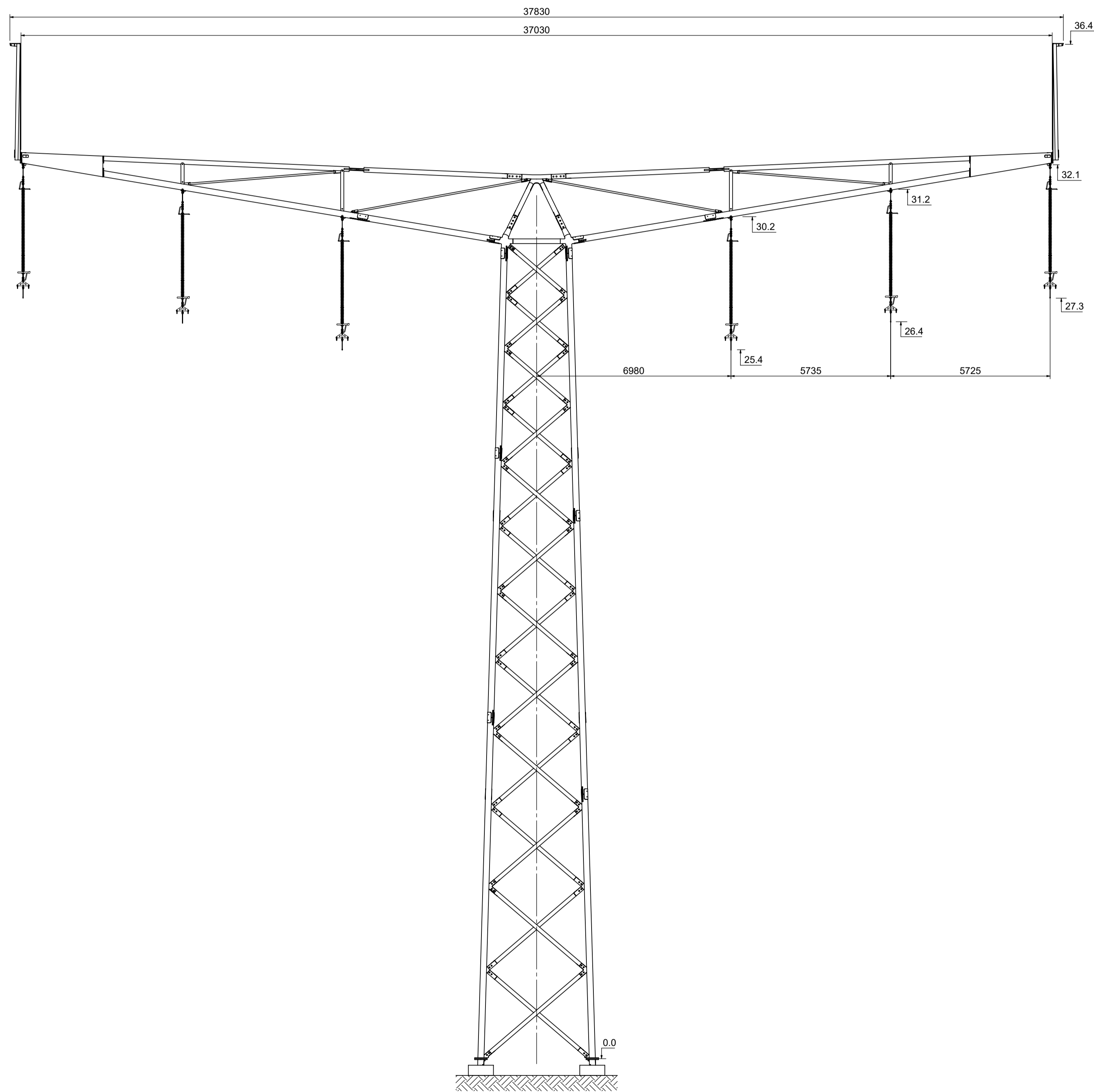
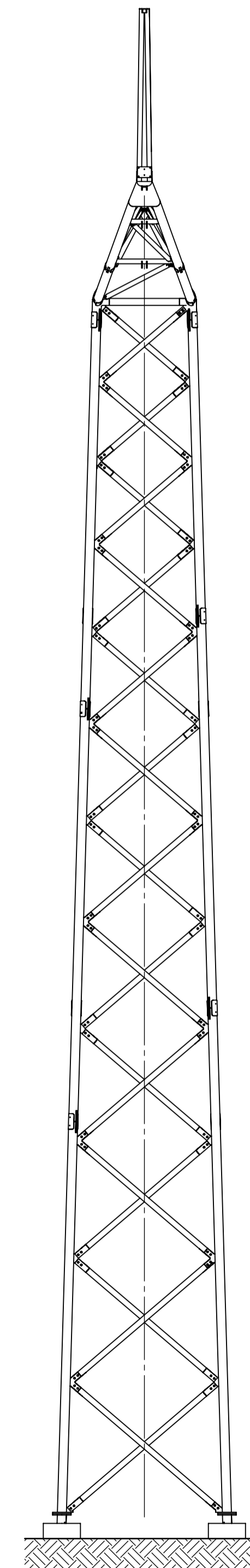


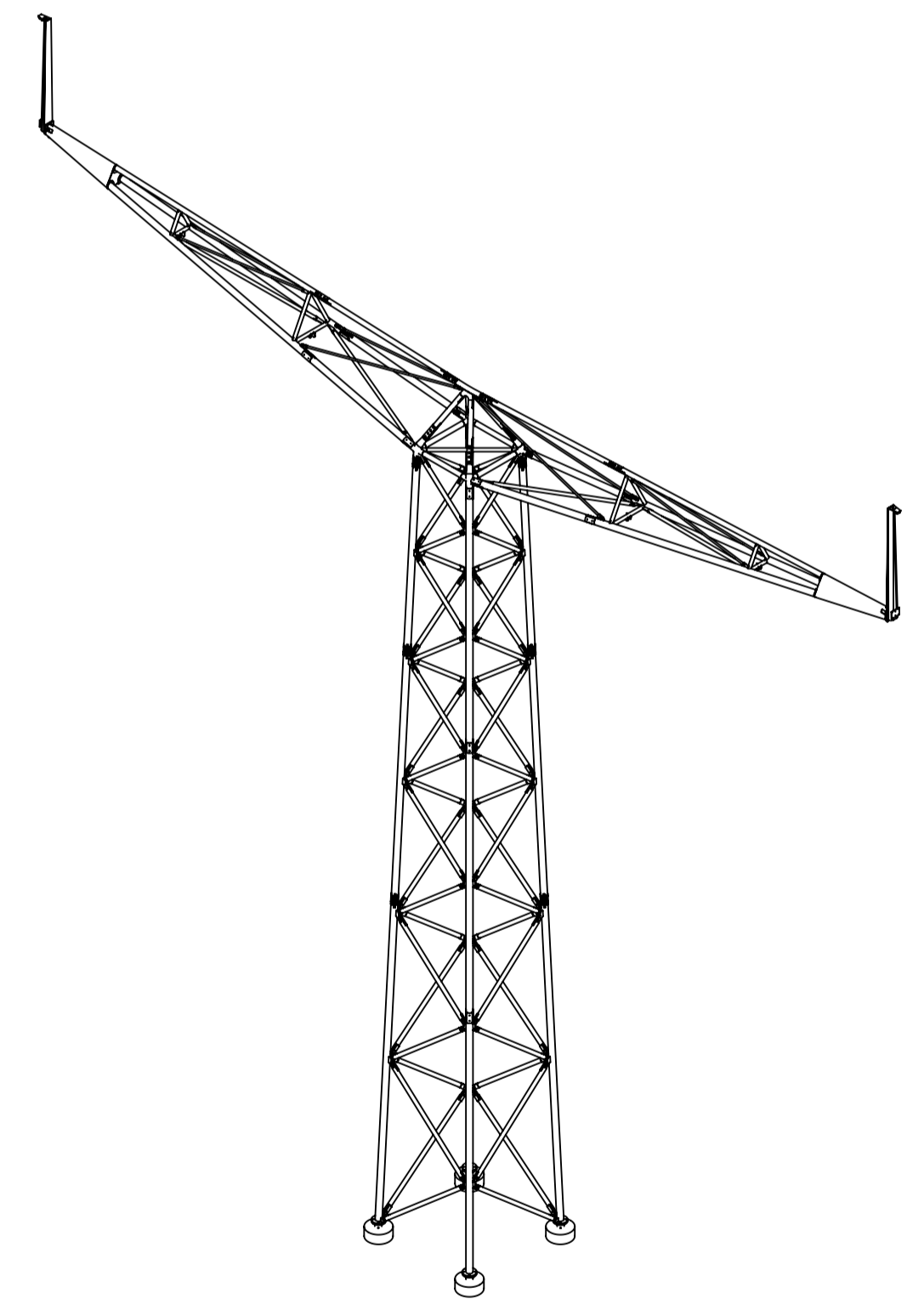
TOP
1 : 100



FRONT
1 : 100



SIDE
1 : 100

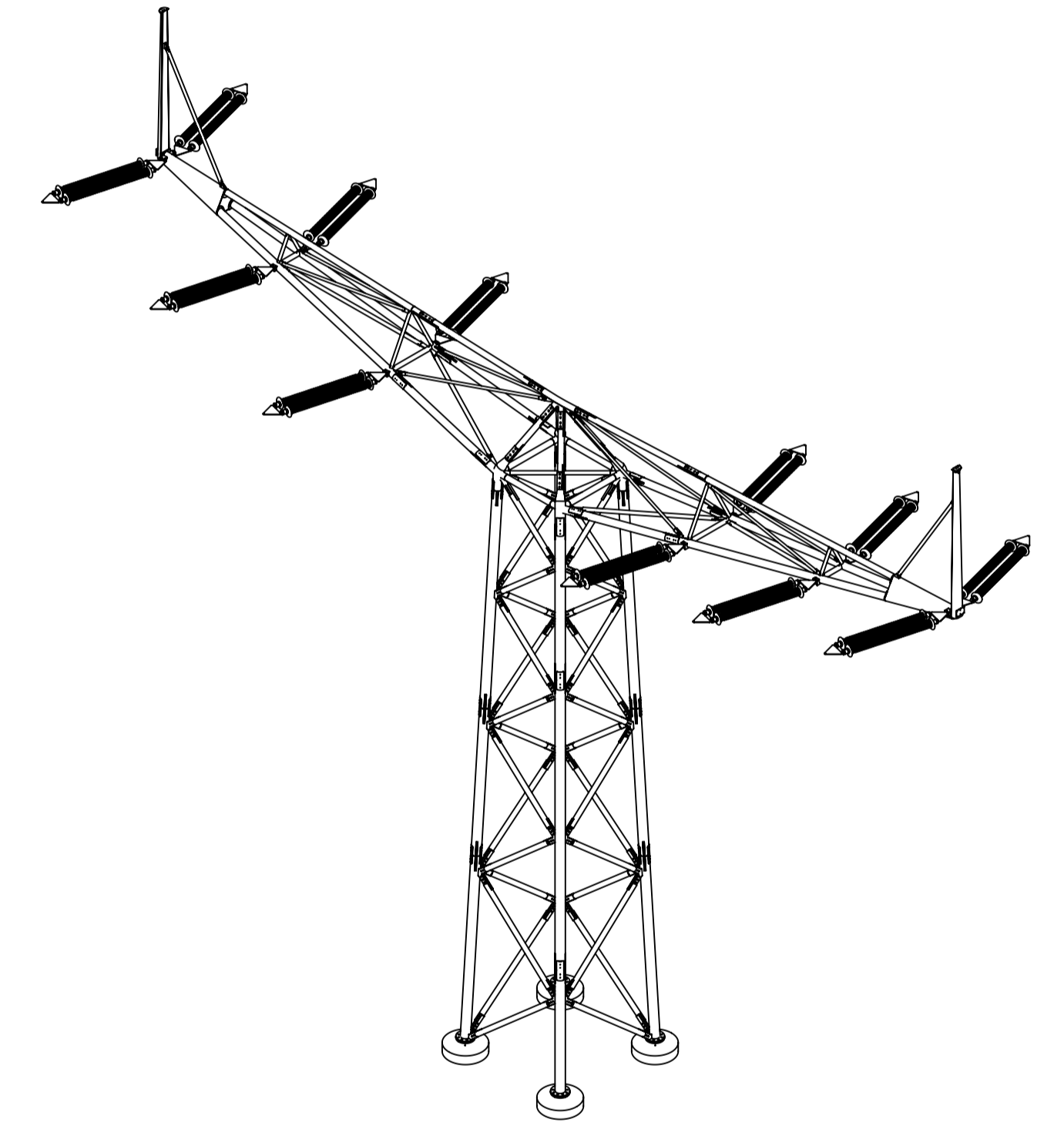
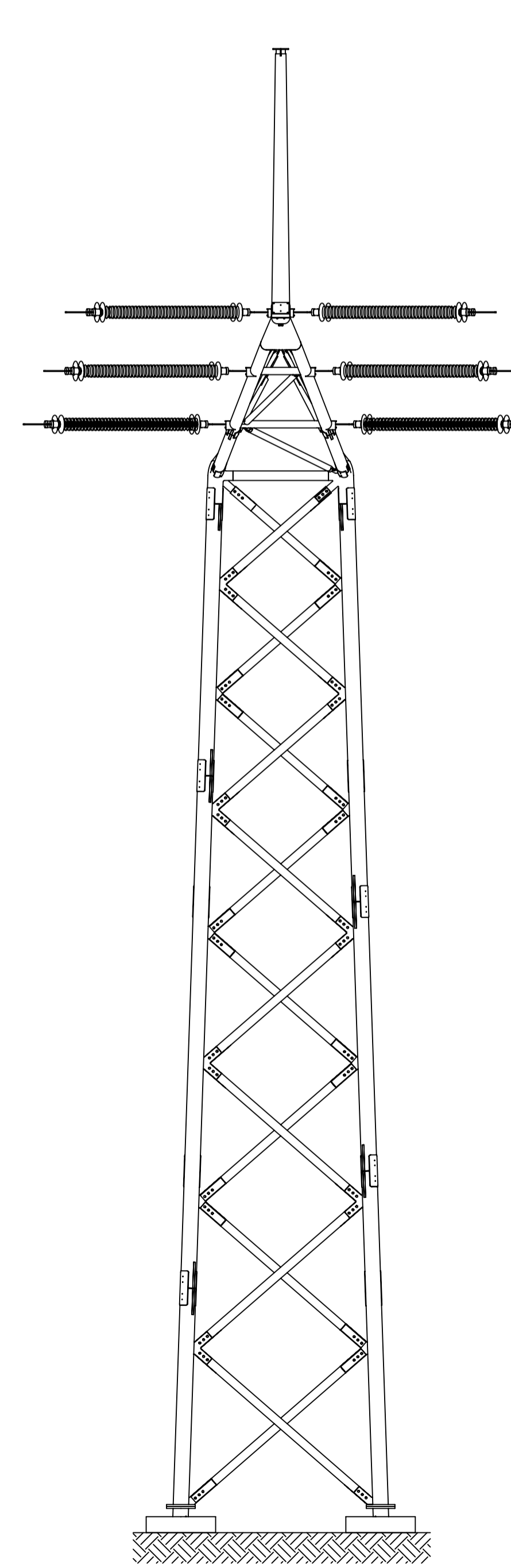
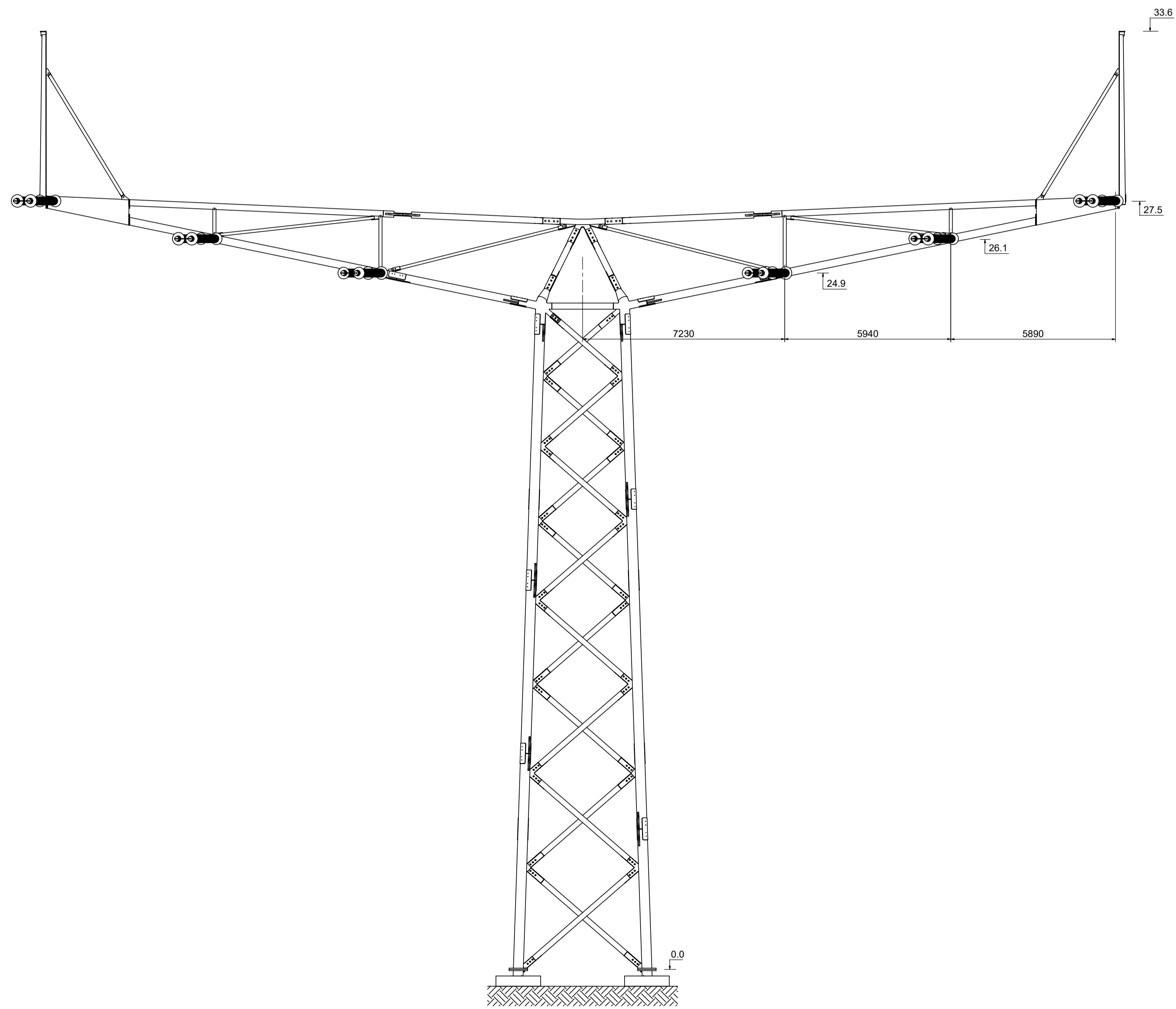
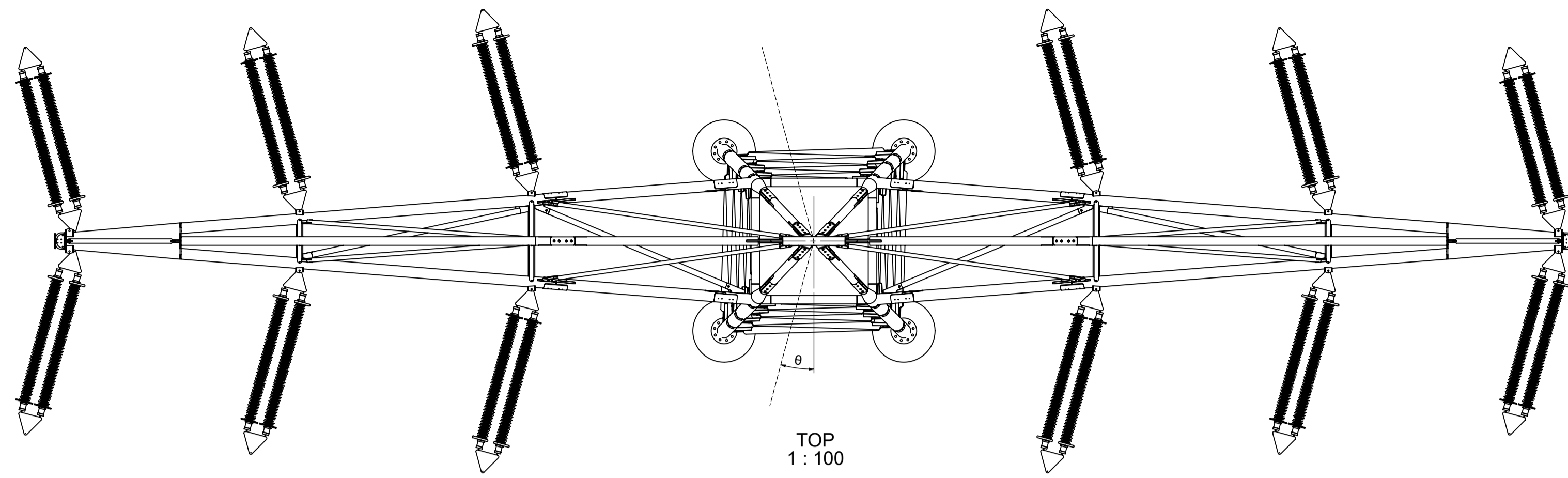


ISOMETRIC VIEW

Note:

- General note, refer to drawing T-0-01
- Elevations for conductors are CC hole support plate
- 30 m version shown

				Size: A1	Project number: 1100032426
Rev. 2 28-09-2020 CUSTOMER COMMENTS UPDATED Rev. 1 19-07-2019 ISSUED FOR CONSTRUCTION Rev. 0 21-11-2018 ISSUED FOR TENDER	Sign: NGKT Sign: JOASI Sign: JOASI	Check: GANESH Check: MKSC Check: MKSC	Appr: MON Appr: MON Appr: MON	ENERGINET	T-BM-01
Thor Suspension Tower Overview drawing				Scale: NOTED Date: 21-11-2018 Drawn by: JOASI	Approved by: MON
<small>Energinet Torne Kjernevej 65 DK-7000 Fredericia E-mail info@energinet.dk TF +45 7010 2244 FAX +45 7624 5180</small>					



Note:
• General note, refer to drawing T-0-01

		Size: A1 Project number: 1100032426
ENERGINET		T-AKM-01
Thor Angle Tension Tower (0-30°) Overview Drawing		Scale: NOTED Date: 21-11-2018 Drawn by: JOASI Approved by: MON
<small>Energinet Torne Kærvej 65 DK-7000 Fredericia E-mail: info@energinet.dk TF: +45 7010 2244 Fax: +45 7624 5180</small>		<small>Approved by: MON</small>